

MOBILE

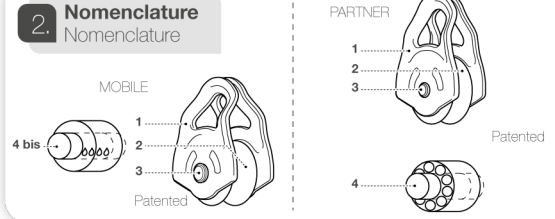
PARTNER

CE 0082 UK CA 0120 UIAA 7 $\leq \varnothing \leq 13\text{ mm}$ individually tested
EN 12278: 2007

3 year guarantee

1. **Field of application** (text part)
Champ d'application (partie texte)

2. **Nomenclature**
Nomenclature



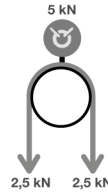
3. **Inspection, points to verify**
Contrôle, points à vérifier



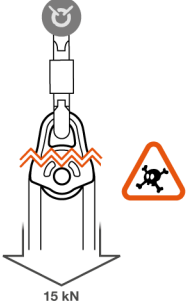
P0004400B (160721)

5. **Strength**
Résistance

5A. Working load limit /
Valeur d'utilisation maxi

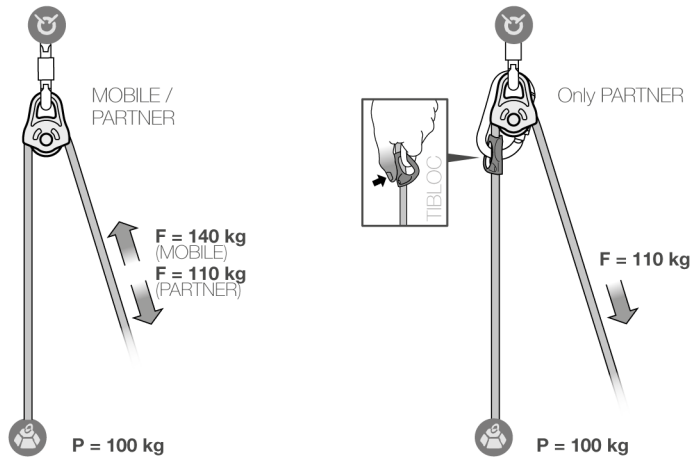


5B. Breaking load /
Charge de rupture



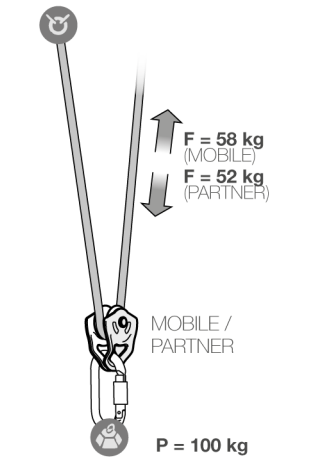
6. **Efficiency**
Rendement

6A. Simple pulley system



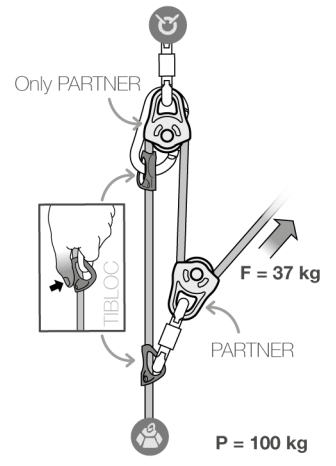
Theoretical force	MOBILE	PARTNER	MOBILE / PARTNER
	$F = P$	$F = P$	
	$F = 1,4 P$	$F = 1,1 P$	$F = 1,1 P$
	$F = 2 P$	$F = 2 P$	$F = 2 P$

6B. 2:1 hauling system




MOBILE	PARTNER
$F = 0,5 P$	$F = 0,5 P$
$F = 0,58 P$	$F = 0,52 P$
$F = 0,66 P$	$F = 0,66 P$

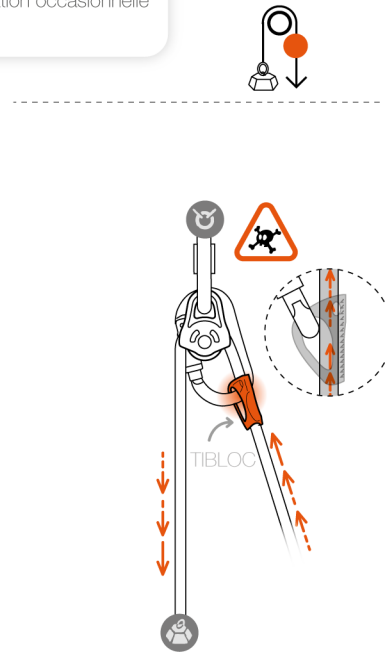
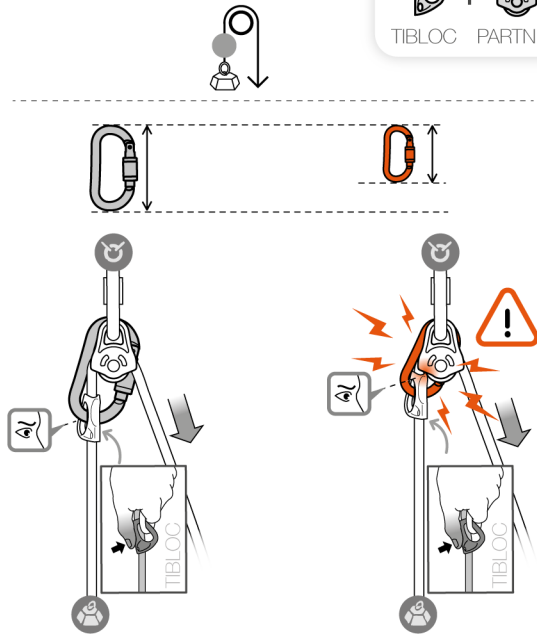
6C. 3:1 hauling system with progress capture



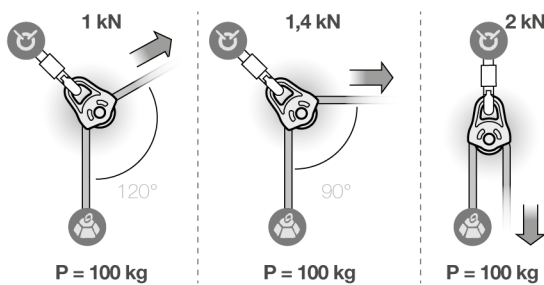
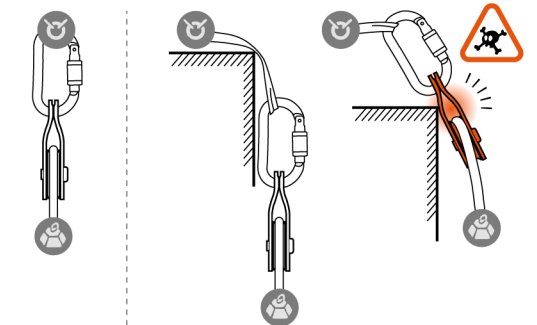
MOBILE	PARTNER
$F = 0,33 P$	
$F = 0,37 P$	
$F = 0,57 P$	

7. Progress capture systems
Systèmes anti-retour

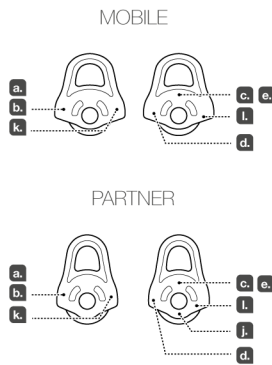
 **Occasional use**
Utilisation occasionnelle



8. Positioning and redirection
Positionnement et renvoi



Traceability and markings
Traçabilité et marquage



CE 0082

a. Body controlling the manufacture of this PPE
b. Notified body that carried out the EU type inspection
APAVE SUDEUROPE SAS
8 rue Jean-Jacques Vernazza
Z.A.C. Saumaty-Séon - CS 60193
13322 Marseille CEDEX 16
N°0082

c. Traceability: **datamatrix**

d. Diameter

e. Individual number
YY M 0000000 000

f. Year of manufacture
g. Month of manufacture
h. Batch number
i. Individual identifier

j. Standards

k. Carefully read the instructions for use

l. Manufacturer address



This product is compliant with the Regulation 2016/425 on Personal Protective Equipment as brought into UK law and amended. Ce produit est conforme au règlement 2016/425 sur les équipements de protection individuelle tel que transposé en droit britannique et modifié.

Approved Body performing the UKCA type examination:
Organisme approuvé intervenant pour l'examen UKCA de type :

SATRA Technology Centre Limited
Wyndham Way, Telford Way,
Kettering, Northamptonshire,
NN16 8SD, United Kingdom.
N° 0321

Approved body responsible for the production control of this PPE:
Organisme approuvé responsable du contrôle de production de cet EPI :

SGS United Kingdom Ltd
Inward Way
Rossmore Business Park
Ellesmere Port, Cheshire, CH65 3EN
United Kingdom
N° 0120

Authorized Representative in UK : PETZL UK Agency, Unit 3-7, Tebay Business Park, Old Tebay, Pennine, CA10 3SS, United Kingdom